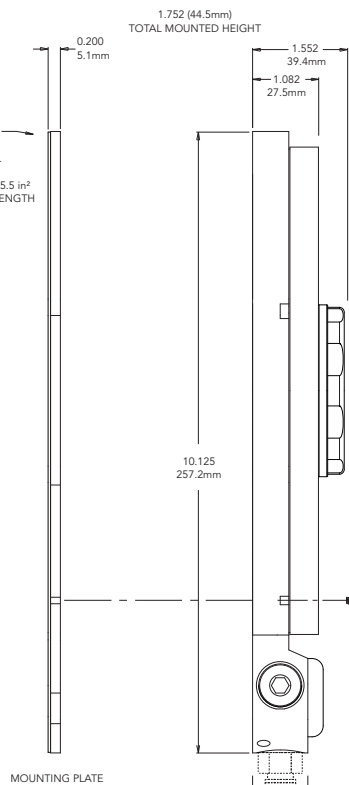
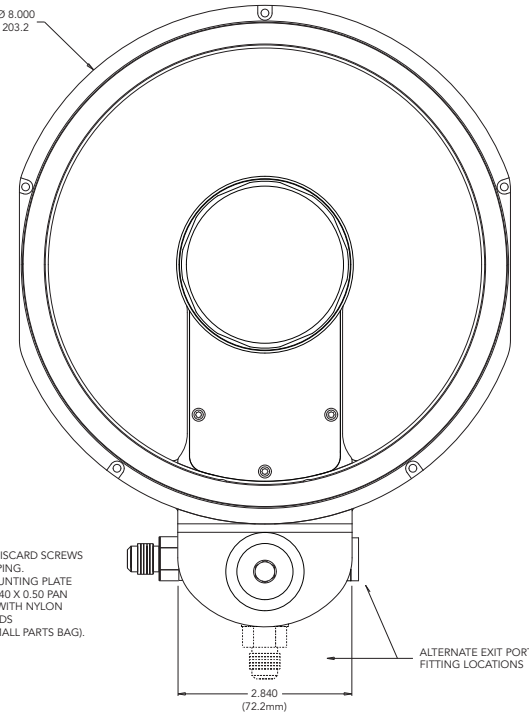


BONDSET 3M VHB
4941 ACRYLIC
CLOSED CELL FOAM.
DYNAMIC SHEAR
STRENGTH 80 PSI x 15.5 in²
= 1240 lbs. BOND STRENGTH

SPECIFICATIONS:
24 VOLT BRUSHLESS
DC MOTOR.
REVERSE CURRENT
PROTECTED.
4.8 AMPS MAX AT
50 IN OZ TORQUE.
0.3 AMP IDLE AT
2100 RPM (NO LOAD).
OVERLOAD PROTECTION
TRIGGERED BY STALL.
RESET BY SWITCH ON
BULKHEAD ASSEMBLY
OR OPTO-SWITCH
TO "OFF" THEN "ON"



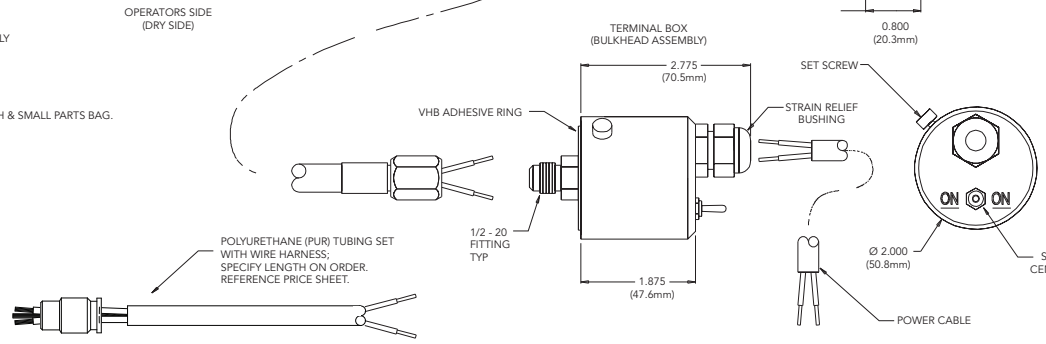
Ø 8.000
203.2



OPERATION & MAINTENANCE:

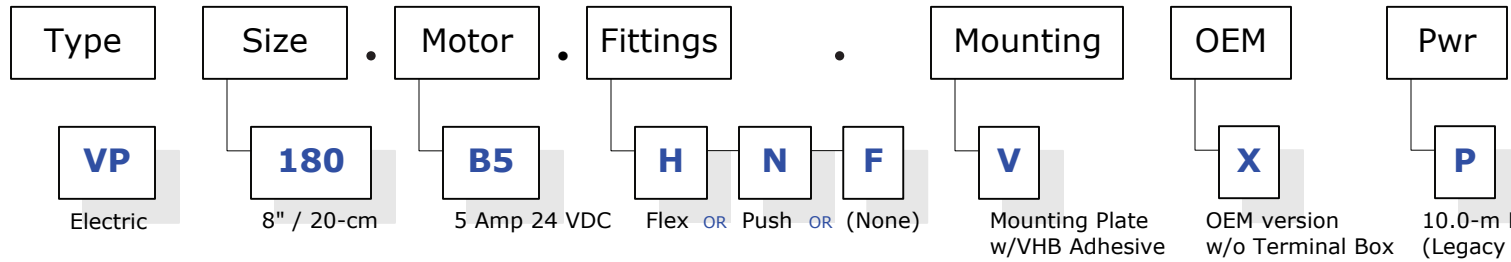
1. VISIPORT SHOULD BE WIRED SO THAT IT IS ON WHEN MACHINE IS ON.
2. BE SURE THAT DISC IS ROTATING BEFORE COOLANT IS TURNED ON.
3. THE VISIPORT WORKS BEST WITH WATER SOLUBLE COOLANTS.
4. CLEAN WITH 50% WATER/50% ISOPROPYL ALCOHOL SOLUTION.
5. STALL CONDITION: CHECK FREE ROTATION OF DISC. REMOVE CHIPS BEFORE RE-SETTING UNIT. REMOVE DISC TO REACHED JAMMED CHIPS IF NECESSARY.

- MATERIAL PROVIDED:
1. VISIPORT BASE ASSEMBLY
 2. MOUNTING PLATE
 3. TERMINAL BOX
 4. TOOL KIT INCL. HUB CAP WRNECH & SMALL PARTS BAG.



DO NOT SCALE DRAWING		PROJECT: TOOLING 2000
MATERIAL: NA	DRAWN: JDF	TITLE: VP180.B5 SYSTEM
FINISH: NA	CHECK: JDF	CLERK: NA
GENERAL TOLERANCES: UNLESS OTHERWISE SPECIFIED	DESIGN: JDF	DATE: 11/18/08
LINEAR: ±0.100	ANGULAR: ±0.5	SCALE: 1:1
		PAGES: 1 OF 1

Model:



Contact T2K for other configuration options:
www.t2k.net