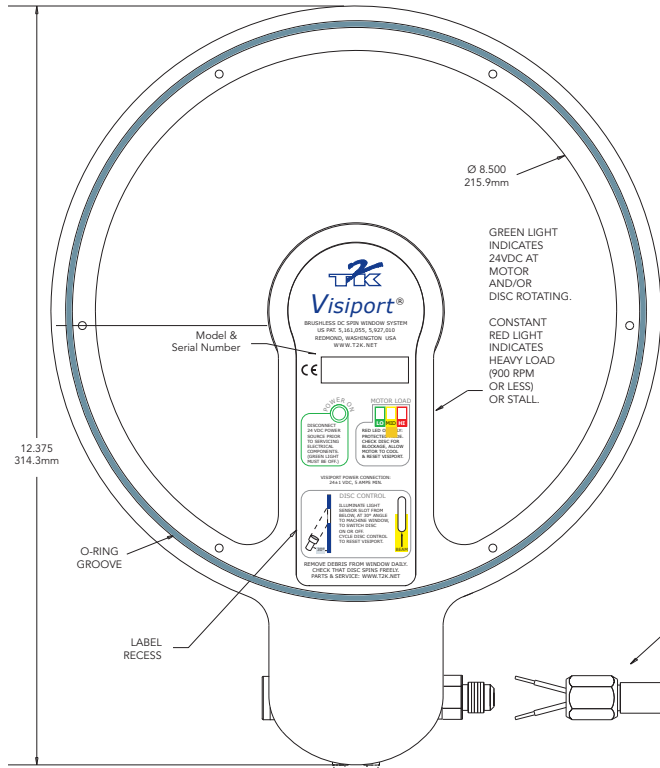
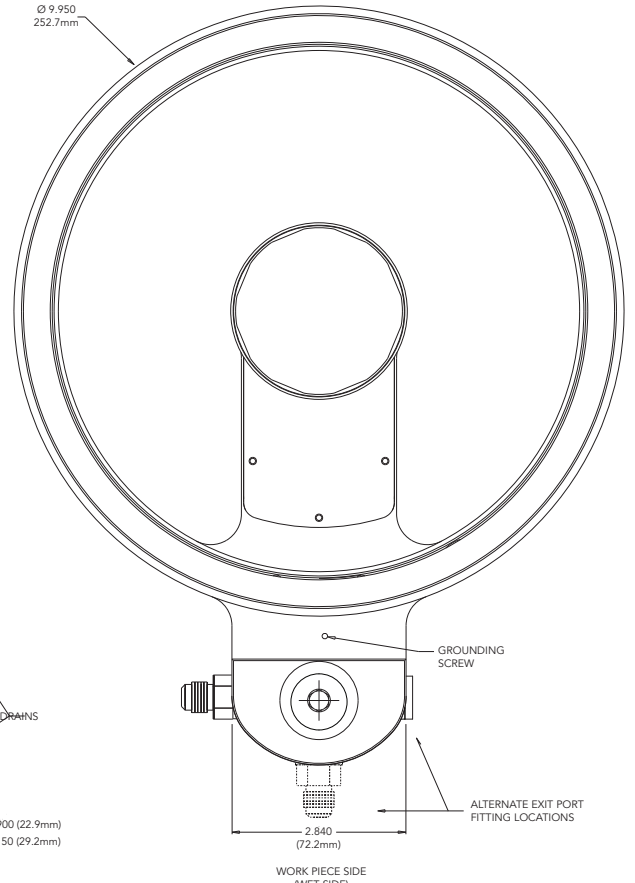
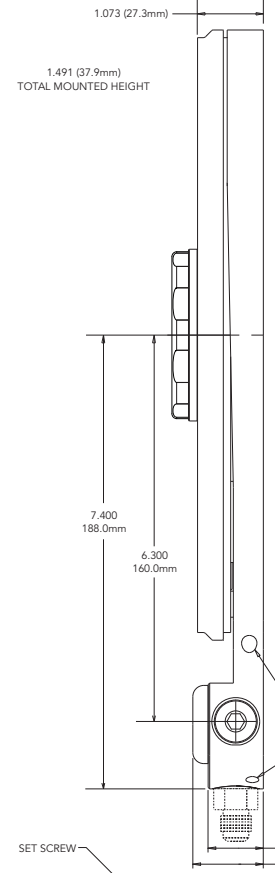


### Model VP220.C



**SPECIFICATIONS:**  
 24 VOLT BRUSHLESS DC MOTOR.  
 REVERSE CURRENT PROTECTED.  
 4.8 AMPS MAX AT 50 IN OZ TORQUE.  
 0.3 AMP IDLE AT 2100 RPM (NO LOAD).  
 OVERLOAD PROTECTION TRIGGERED BY STALL.  
 RESET BY SWITCH ON BULKHEAD ASSEMBLY OR OPTO-SWITCH TO "OFF" THEN "ON"

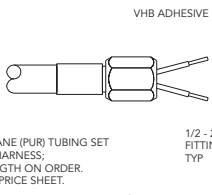
GREEN LIGHT INDICATES 24VDC AT MOTOR AND/OR DISC ROTATING.  
 CONSTANT RED LIGHT INDICATES HEAVY LOAD (900 RPM OR LESS) OR STALL.



- MATERIAL PROVIDED:**
- VISIPORT BASE ASSEMBLY
  - MOUNTING PLATE
  - TERMINAL BOX
  - TOOL KIT INCL. HUB CAP WRENCH & SMALL PARTS BAG.

OPERATORS SIDE (DRY SIDE)

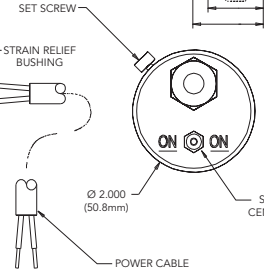
FLEX (STEEL BRAID OVER PTFE) TUBING SET WITH WIRE HARNESS; SPECIFY LENGTH ON ORDER. REFERENCE PRICE SHEET.



TERMINAL BOX (BULKHEAD ASSEMBLY)

2.775 (70.5mm)

1.875 (47.6mm)



**OPERATION & MAINTENANCE:**

- VISIPORT SHOULD BE WIRED SO THAT IT IS ON WHEN MACHINE IS ON.
- BE SURE THAT DISC IS ROTATING BEFORE COOLANT IS TURNED ON.
- THE VISIPORT WORKS BEST WITH WATER SOLUBLE COOLANTS.
- CLEAN WITH 50% WATER/50% ISOPROPYL ALCOHOL SOLUTION.
- STALL CONDITION: CHECK FREE ROTATION OF DISC. REMOVE CHIPS BEFORE RE-SETTING UNIT. REMOVE DISC TO REACHED JAMMED CHIPS IF NECESSARY.

DO NOT SCALE DRAWING		PROJECT: TOOLING 2000	TITLE: VP220.C SYSTEM
MATERIAL: NA	DRAWN: DFP	CHECK: NA	DESIGN: NA
GENERAL TOLERANCES: NA	DATE: 01	REV: 220C8000	SHEET: 1 OF 1

Model:

Type	Size	Motor	Fittings	Mounting	OEM	Pwr
VP	220	C	H N F	V	X	P
Electric	8" / 20-cm	5 Amp 24 VDC	Flex OR Push OR (None)	Mounting Plate w/VHB Adhesive	OEM version w/o Terminal Box	10.0-m Power Cable (Legacy Config.)

Contact T2K for other configuration options:  
[www.t2k.net](http://www.t2k.net)